

STI BREAK GLASS STOPPER®



STI-6720

PRODUCT OVERVIEW

What do you do when the keys to your fire alarm system, exit doors, and so forth must be available in an emergency, but you don't want to just hang them on a nail? The inexpensive answer is STI's Break Glass Stopper. Your keys are readily available when necessary, but not too available.

BACKED BY A THREE YEAR GUARANTEE

In order for someone to access the key, they must literally break the glass; and that's something any of us would be hesitant to do without good reason. Altogether, this serves as a very effective deterrent against theft and malicious or wrongful use. Break Glass Stopper is easy to install and installation takes only a couple of minutes.

KEY FEATURES

General Information

- An excellent way to protect emergency keys from theft or wrongful use.
- Keys remain visible as well as available in case of an emergency.
- Inexpensive, especially when you consider just how valuable it can be to your operation.
- Three year guarantee against breakage of the ABS housing during normal use.

Design

- Aesthetically appealing.

Installation

- Fast and easy installation.
- Simple, inexpensive glass replacement (Suggestion: order extra panes with each unit. Item KIT-672).



STI Break Glass Stopper®

Dimensions and Technical Information

MODELS AVAILABLE

- STI-6720 Break Glass Stopper Keys Under Plexiglas®
- KIT-672 Replacement Glass for STI-6720

RELATED MODELS AVAILABLE

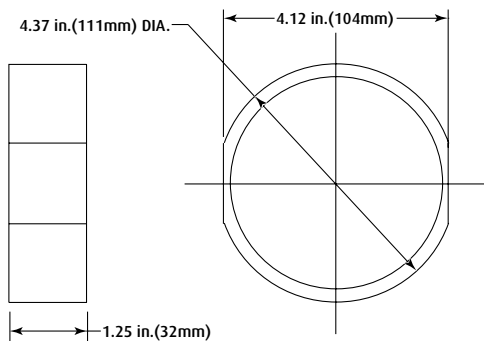
- STI-4100 Fits manual pull stations up to 5 3/8 in. wide x 6 3/4 in. high x 1 1/2 in. deep. (Use Stopper II® spacer KIT-900-R for surface-mounted and larger stations to add 2 in. in depth.)
- STI-6100 For manual stations up to 4 1/8 in. wide x 5 1/4 in. high x 1 1/2 in. deep.
- STI-6700 Generic "Break Glass" unit available for devices other than fire alarm pull stations, etc. Same size as STI-6100. Includes wall mount hanging clip for keys, etc.

INSTRUCTIONS

Break Glass Stopper is an inexpensive yet effective way to keep keys available but not too available. Once base is mounted and keys securely hanging on hook, the cover with glass is snapped into place. The only way to now access the keys is by breaking the front glass. This protective cover will help keep track of important keys. Keep extra panes of glass in stock so after an emergency keys can again be securely displayed with Break Glass Stopper.

WARRANTY

Three year guarantee against breakage of the ABS housing during normal use.



**Safety Technology
International**